

PRODEMAND

YMMS: 2016 Cadillac ATS V
Engine: 3.6L Eng
VIN:

Apr 30, 2020
License:
Odometer:

Fuel Tank Replacement

Removal Procedure

1. Relieve the system fuel pressure. Refer to Fuel Pressure Relief

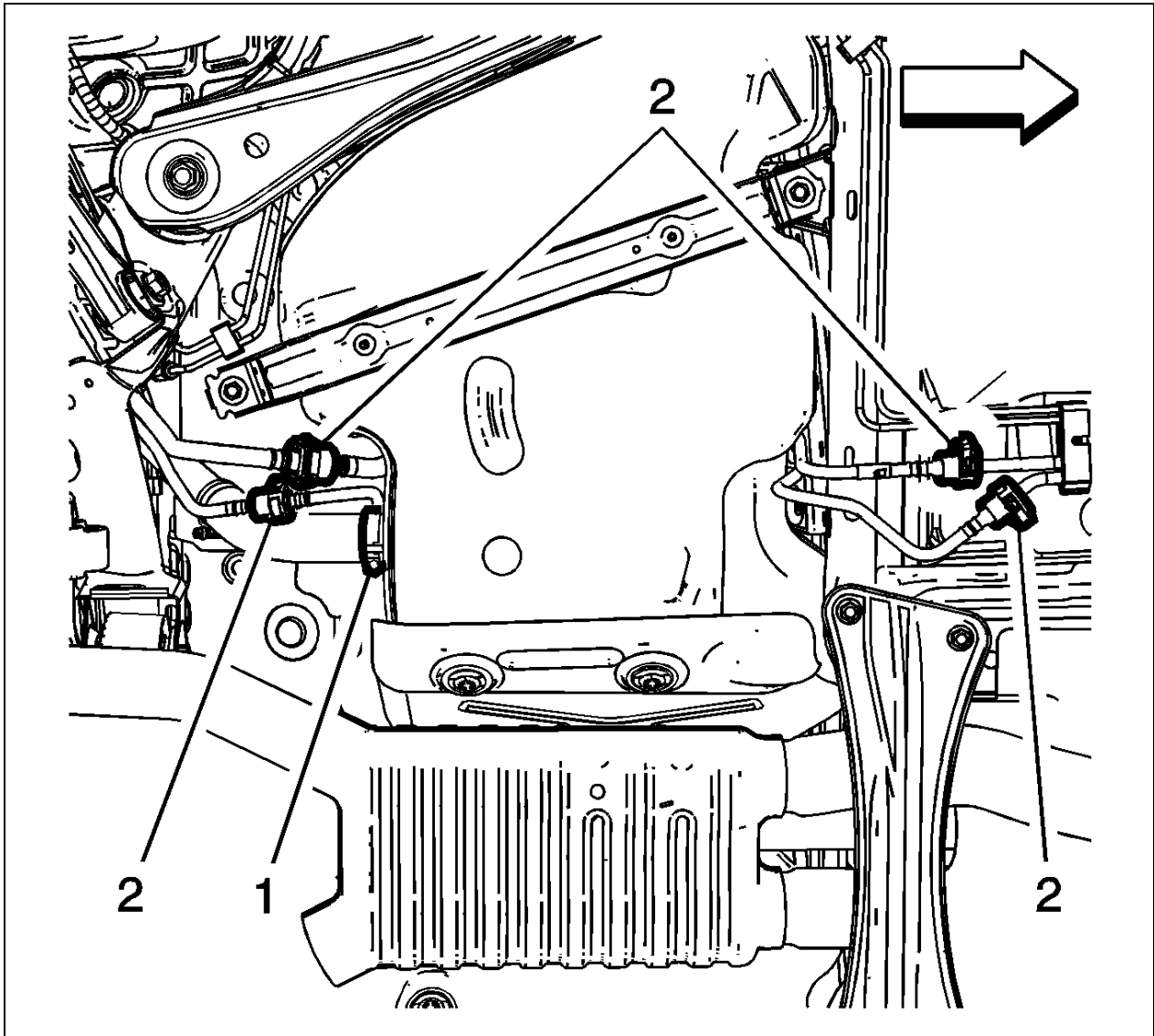
WARNING: *To avoid any vehicle damage, serious personal injury or death when major components are removed from the vehicle and the vehicle is supported by a hoist, support the vehicle with jack stands at the opposite end from which the components are being removed and strap the vehicle to the hoist.*

WARNING: *Refer to Gasoline/Gasoline Vapors Warning .*

WARNING: *Refer to Safety Glasses Warning .*

2. Drain the fuel tank. Refer to Fuel Tank Draining.
3. Remove the left and right side rear air deflectors. Refer to Underbody Rear Air Deflector Replacement - Left Side , and Underbody Rear Air Deflector Replacement - Right Side .
4. Remove the two piece propeller shaft. Refer to Two-Piece Propeller Shaft Replacement (LTG, LGX, LCV)Two-Piece Propeller Shaft Replacement (LF4) .
5. Disconnect the evaporative emission and fuel pipes (2). Refer to Plastic Collar Quick Connect Fitting Service.

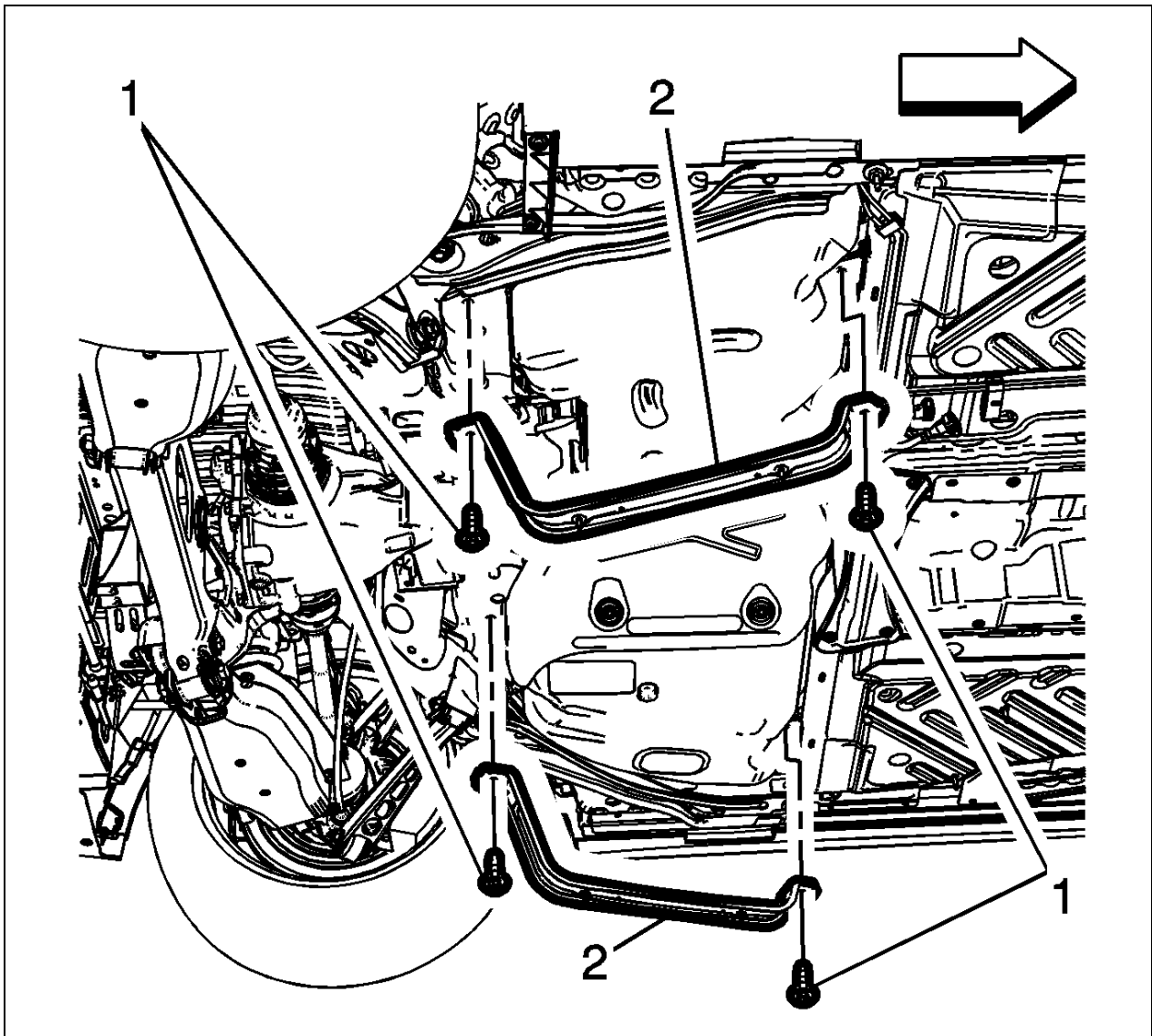
Fig 1: Evaporative Emission And Fuel Pipes



Courtesy of GENERAL MOTORS COMPANY

6. Loosen the hose clamps (1) and remove the filler pipe.
7. Support the fuel tank with a suitable jack.

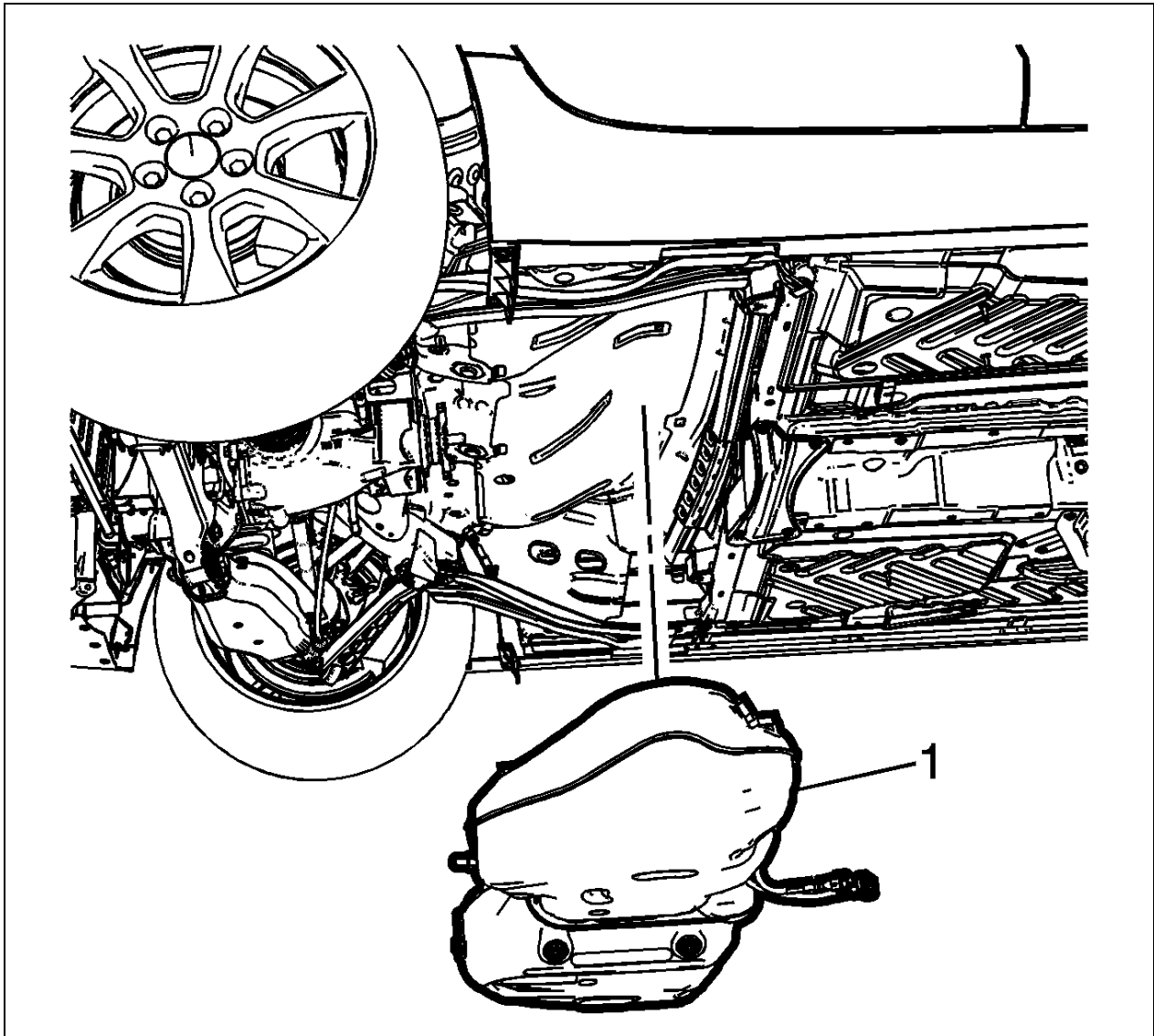
Fig 2: Fuel Tank Straps And Bolts



Courtesy of GENERAL MOTORS COMPANY

8. Remove the fuel tank strap bolts (1).
9. Remove the fuel tank straps (2).
10. Disconnect the fuel tank electrical connector.
11. Remove the fuel tank (1).

Fig 3: Fuel Tank



Courtesy of GENERAL MOTORS COMPANY

12. Remove the following components if replacing just the fuel tank.

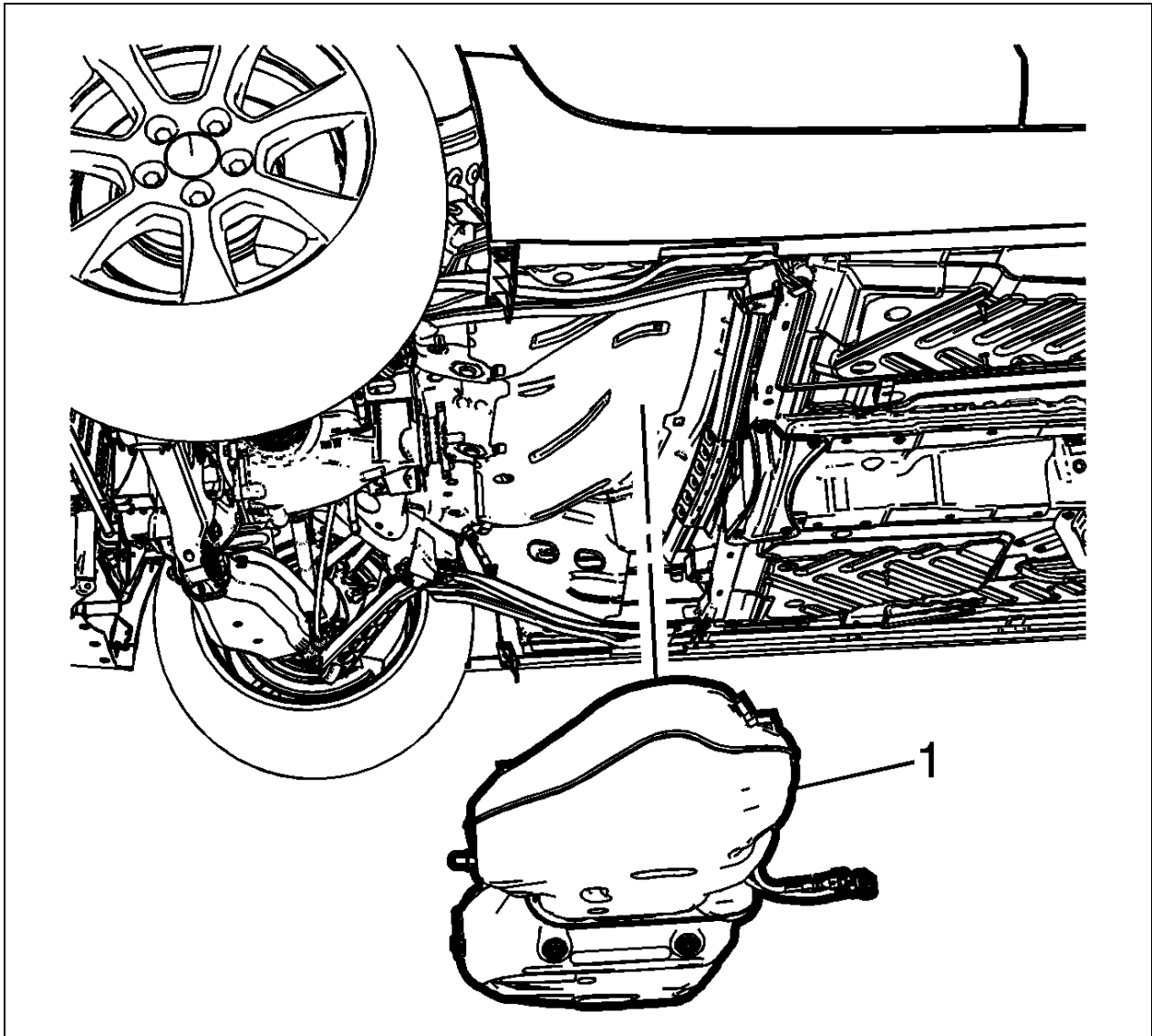
1. Fuel tank fuel pump module. Refer to Fuel Tank Fuel Pump Module Replacement.
2. Transfer components as necessary.

Installation Procedure

1. Install the following components if fuel tank replacement was necessary:

1. Fuel tank fuel pump module. Refer to Fuel Tank Fuel Pump Module Replacement.
2. Use a suitable jack and install the fuel tank (1).

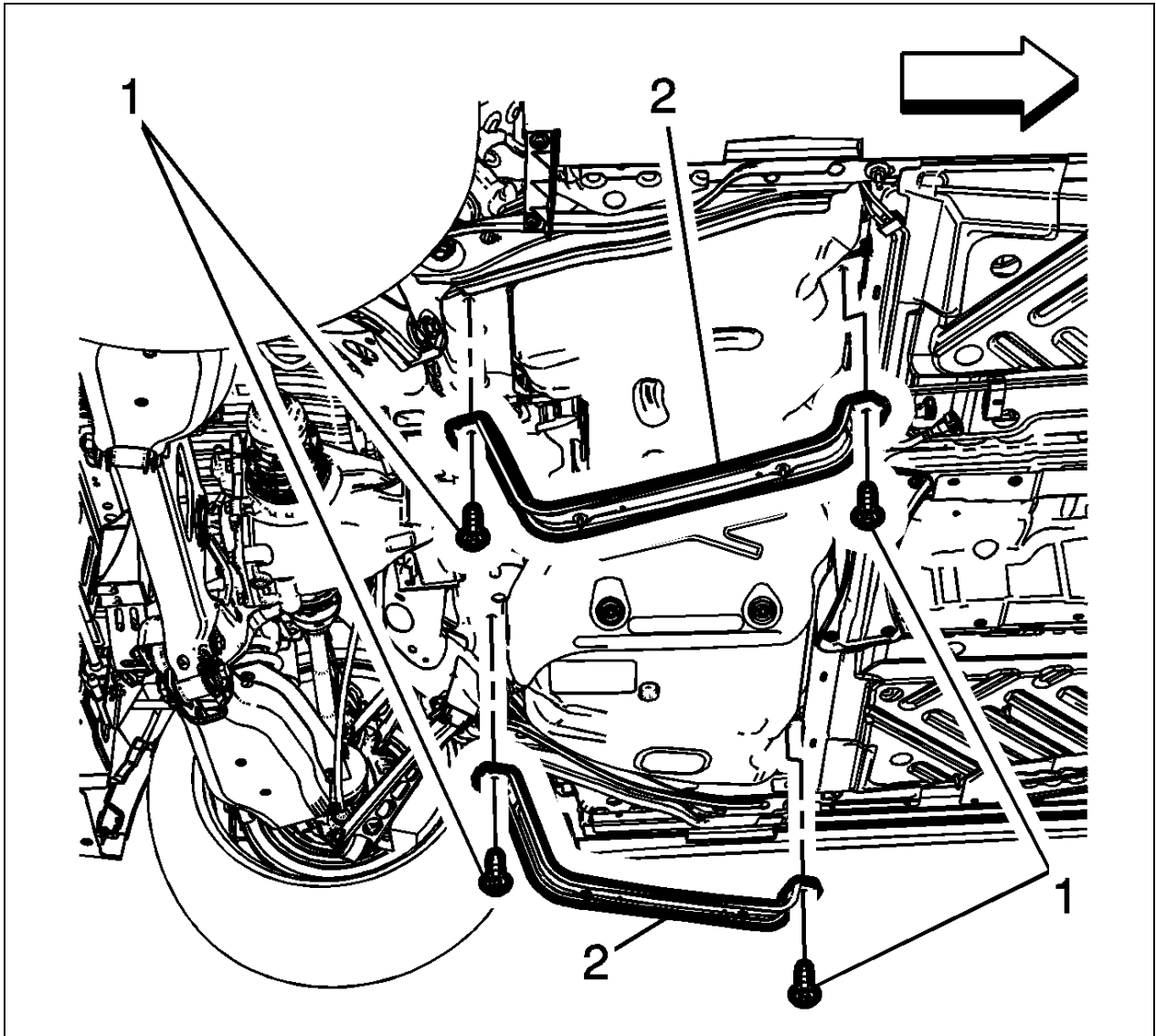
Fig 4: Fuel Tank



Courtesy of GENERAL MOTORS COMPANY

3. Install the fuel tank straps (2).

Fig 5: Fuel Tank Straps And Bolts



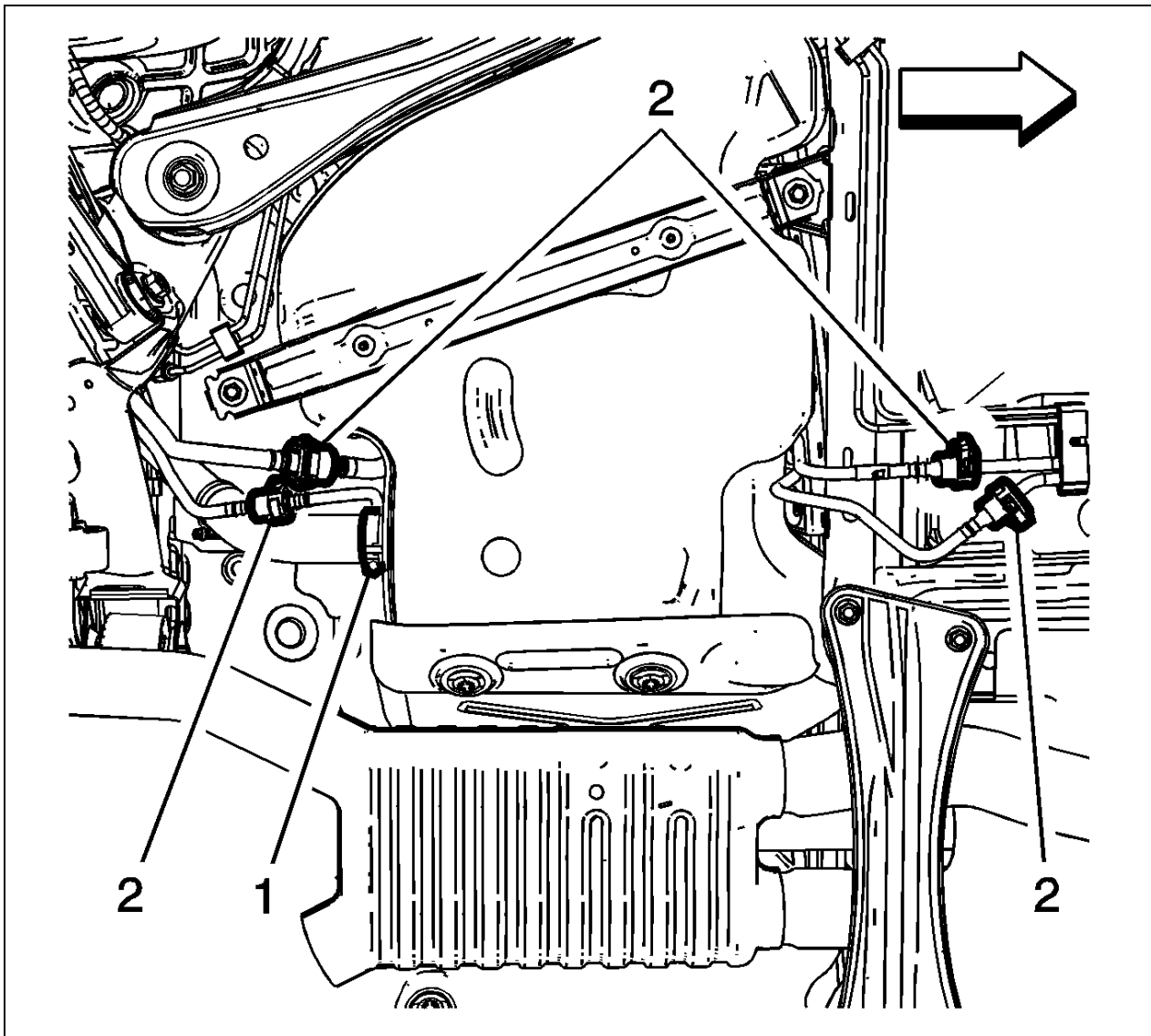
Courtesy of GENERAL MOTORS COMPANY

4. Install the fuel tank strap bolts (1) and tighten to 20 N.m (15 lb ft).

CAUTION: Refer to Fastener Caution .

5. Connect the fuel tank electrical connector.
6. Install the filler pipe and tighten the hose clamps (1).

Fig 6: Evaporative Emission And Fuel Pipes



Courtesy of GENERAL MOTORS COMPANY

7. Connect the evaporative emission and fuel pipes (2). Refer to Plastic Collar Quick Connect Fitting Service.
8. Install the two piece propeller shaft. Refer to Two-Piece Propeller Shaft Replacement (LTG, LGX, LCV)Two-Piece Propeller Shaft Replacement (LF4) .
9. Install the left and right side rear air deflectors. Refer to Underbody Rear Air Deflector Replacement - Left Side , and Underbody Rear Air Deflector Replacement - Right Side .
10. Refill the fuel tank.
11. Inspect for fuel leaks.